

C394

Frozen Carbonated Beverage Freezer

Four Flavor

Features

Dispense a light, fluffy, high overrun slush product in a pressurized system from this modular, counter-top freezer. Air is discharged out the top of the unit to accommodate tight counter space. Optional cart converts the unit to a self-contained floor model, and provides storage for the syrup.

Freezing Cylinder

Four, 7 quart (6.6 liter).

Improved technology has efficient freeze time and recovery for high demand draws during peak hours.

Dispensing Door

Clear plastic dispensing door and handles attract impulse sales, and visual attraction to product flavors. Self closing draw handles are standard. Round dispensing nozzle conveniently fits the hole in domed lids.

Product Delivery System

Quick change orifices expand flavor options from FCB to fountain syrups for maximum versatility. "Push to connect" fittings allow for quick flavor adaptations to meet customer preferences and seasonal demands.

Indicator Lights/Audible Alarm

Lights flash and audible alarm sounds to indicate loss of CO₂, water or syrup on the affected freezing cylinder. The other flavors will continue to operate when one loses syrup. A snooze feature may be activated to silence the alarm for 15 minutes.

Automatic Defrost

Programmable defrost cycles allow the operator to select the time and frequency for defrosting each freezing cylinder independently. The indicator light flashes to warn customers not to draw product from the freezing cylinder that is being defrosted. At the end of the defrost cycle, the freezing cylinder automatically returns to the freeze-down mode.

Power Saver Description

During extended no-use periods, the Power Saver feature may be programmed for Rest Mode. Rest Mode shuts down the refrigeration system for the most energy savings. Start and end times may be programmed independently for seven cycles.

Air Filter

Easily removable, cleanable air filter located in front of unit. Filter helps keep condenser clean for optimal refrigeration system performance.

Merchandising

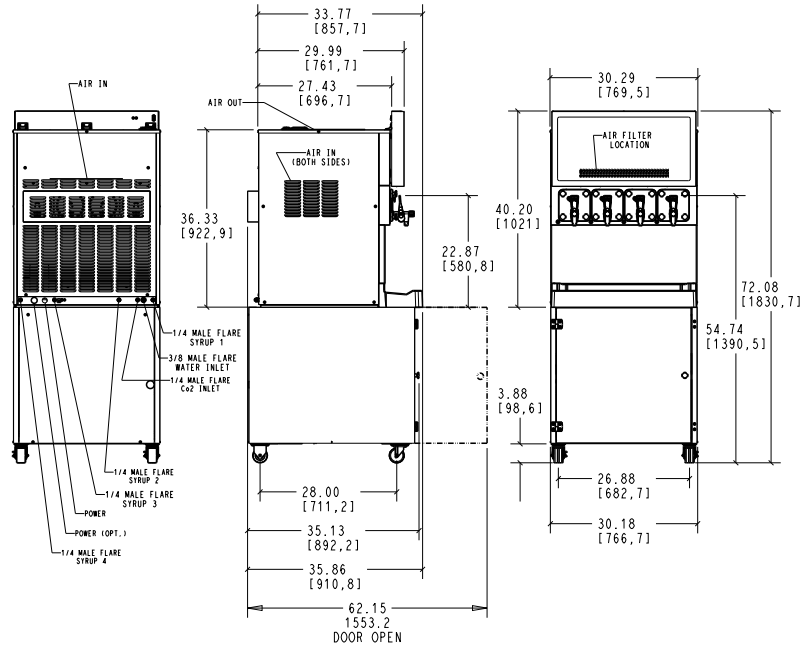
The light box merchandising feature enhances brand visibility and POS marketing opportunities with vibrant lighting. LED display illuminates translucent and clear dispensing doors to draw customer attention. This display provides energy efficient, and consistent lighting.

Innovative Connectivity

Unit is IoT capable. Open Kitchen connectivity enables real-time monitoring of equipment performance from any device, optimizing operations.



Shown with Optional Cart



FIGURES IN BRACKETS INDICATE MILLIMETERS / DECIMAL AND FRACTIONAL DIMENSIONS EQUAL TO (PLUS OR MINUS 1/16 INCH [1.5mm]).

Weights	lb.	kg
Net	455	206.3
Crated	545	247.2

*For reference only

Dimensions	in.	mm
Width	30-5/16	769.5
Depth	35-7/8	910.8
Height	40-3/16	1021
Counter Clearance	---	---

*Designed to rest on a plastic pad directly on counter top or optional cart.

Electrical	Maximum	Minimum	Poles (P)
	Fuse Size	Circuit Ampacity	
208-230/60/1 Air	25	19	2P 3W
208-230/60/3 Air	20	15	3P 4W

This unit may be manufactured with other electrical characteristics and may have additional regulatory agency approvals. Consult the local Taylor distributor for other electrical characteristics and agency approvals based on specific electrical and country requirements.

(For exact electrical information, approval marks, and refrigerant, always refer to the data label of the unit.)

Continuing research results in steady improvements. Therefore, these specifications are subject to change without notice.

Bidding Specs

Electrical: Volt _____ Hz _____ ph _____
 Neutral: Yes No Cooling: Air Water NA

Specifications

Electrical

One dedicated electrical connection is required. See the electrical chart for the proper electrical requirements. Manufactured to be permanently connected. Consult your local Taylor distributor for cord and receptacle specifications as local codes allow.

Beater Motor

Four, 1/6 hp.

Refrigeration System

One, 12,500 BTU/hr. compressor (application rating) 17,500 BTU/hr. (nominal rating) R449A. (Actual BTUs will vary based on application.)

Potable Water Pressure

Minimum 25 PSI for proper operation of system.

Air-Cooled

Minimum Clearance: 0 in. (0 mm) around sides, 3 in. (76.2 mm) in rear and 12 in. (305 mm) on the top of the unit. Minimum air clearances must be met to ensure adequate airflow for optimum performance. If ambient temperature is over 100 °F (37.7 °C), air clearance on both sides of unit must be a minimum of 2 in. (50.8 mm).

Options Available Ordered Separately

- Syrup Storage Cart: Includes shelves for storing BIB FCB syrups C21000-VNP Black Vinyl - No Mounting BIB Pumps (not included).
- C21000-VWP Black Vinyl - Mounting BIB Pumps (included).
- ADA Handle Conversion Kit (Part Number X68919) Available

Cart Dimensions
 Width: 30-5/16 in. (769.5 mm)
 Depth: 33-3/4 in. (857.7 mm)
 Height: 72-1/16 in. (1830.7 mm)

Cart Weights
 Net: 151 lb. (68.5 kg)
 Crated: 178 lb. (80.7 kg)

Options: _____

All options may not be available in combination with others or with all electrical or cooling configurations. Please consult your local Taylor distributor.

Authorized Taylor Distributor



750 N. Blackhawk Blvd.
 Rockton, Illinois 61072
www.taylor-company.com