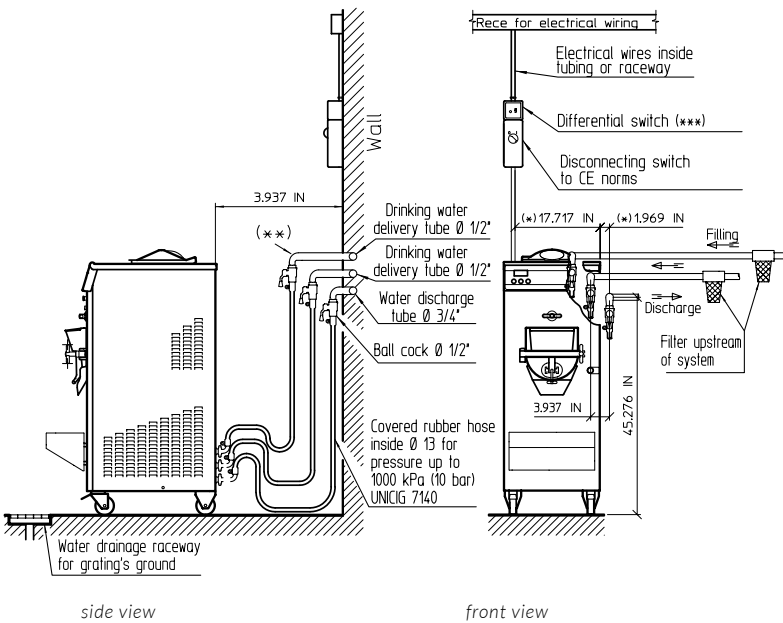
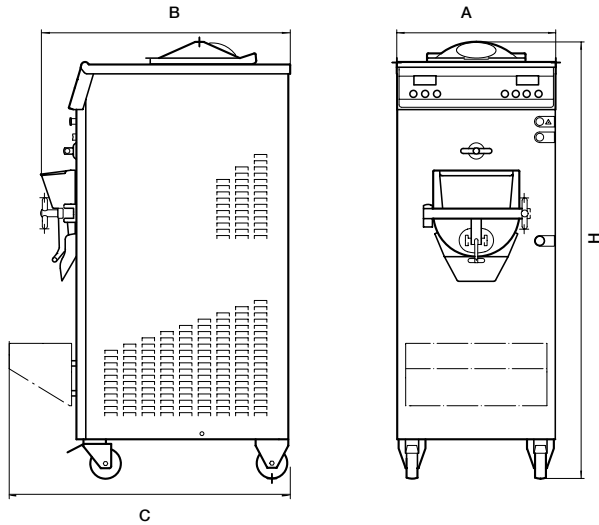


Gelmatic 30 M

batch-freezer
for gelato & ice cream production
with cold process
water cooled

Model:
Quantity:
Project:
Company:
Contact:
Dealer ID:



(*) even if the machine models vary, the water and electricity connection positions are always the same, i.e. on the LEFT side of the machine.
(**) 30 mA (ABB serie C).



Warranty: valid for the North American Continent (Canada, USA)
Extension: 12 months parts (with check list and warranty signed and mailed)
5 years compressor with registration on warranty.bravonorthamerica.com

| | | | | |
|-------------------------------|----------------------------|-----------|--------|----------------|
| Width (A) | cm | 51 | inches | 20,1 |
| Depth (B) | cm | 80 | inches | 31,5 |
| Depth with base (C) | cm | 87,5 | inches | 34,4 |
| Height (H) | cm | 140 | inches | 55,1 |
| Weight | kg | 220 | lbs | 485 |
| Frame type | floor model | | | |
| Outer panels | stainless steel | | | |
| Capacity per cycle | Liters | 5 | Gal | 1,32 |
| Max. hourly production | Liters | 38 | Gal | 10 |
| Min. mix per cycle | Kg | 2 | Lbs | 4,4 |
| Max. mix per cycle | Kg | 4 | Lbs | 8,8 |
| Volume cylinder with mixer | Liters | 8,93 | Quarts | 9,43 |
| Volume cylinder without mixer | Liters | 9,46 | Quarts | 10 |
| Min. mixer speed | RPM 122 | | | |
| Max. mixer speed | RPM 250 | | | |
| Max power | kw | 2,8 | Hp | 3,7 |
| Voltage | 230 Volt / 60 Hz / 3 phase | | | |
| Running Amps | Amp 12,5 | | | |
| Breaker size | Amp 25 | | | |
| Drive motor | kw | 2,2 - 1,5 | Hp | 3 - 2 |
| Compressor power | kw | 1,3 | Hp | 1,75 |
| Compressor power | BTU/h 4094 | | | |
| Freon R404A | Gr | 1150 | Oz | 40,5 |
| Refrigeration condensation | Water | | | |
| Water connection | cm | 1,27 | inches | 1/2 |
| Min. water pressure | bar | 1,5 | psi | 20 |
| Max. water pressure | bar | 3 | psi | 40 |
| Crate dimensions | cm | 97x69x172 | inches | 38,1x27,1x67,7 |
| Crate weight | kg | 308 | lbs | 679 |

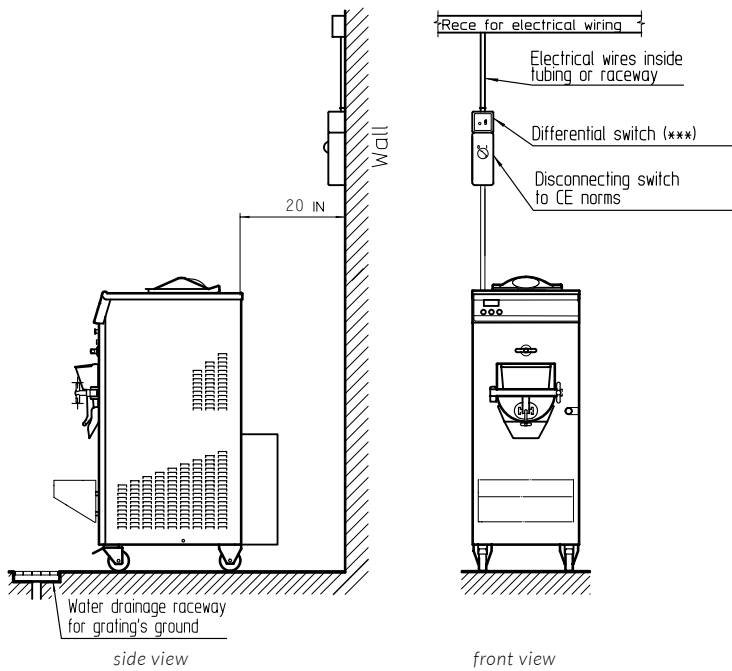
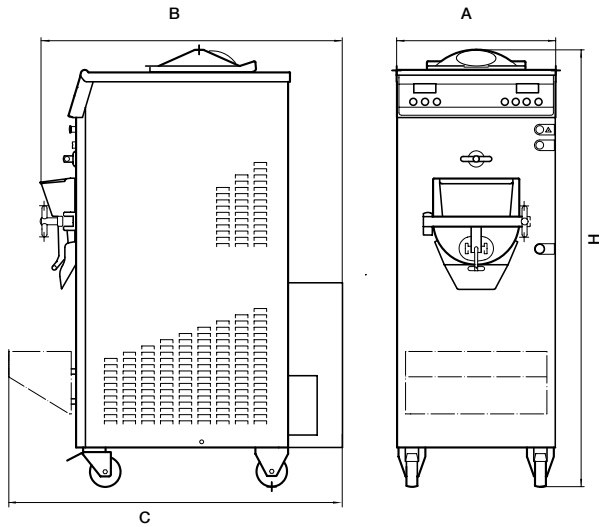


Bravo North America Inc. Office & Showroom, 810 Tyvola Road, Suite 130, Charlotte, NC 28217
tel. +1 980 237 2474 bravonorthamerica.com info@bravonorthamerica.com

Gelmatic 30 M

batch-freezer
for gelato & ice cream production
with cold process
air cooled

Model:
Quantity:
Project:
Company:
Contact:
Dealer ID:



(**) 30 mA (ABB serie C).



Warranty: valid for the North American Continent (Canada, USA)
Extension: 12 months parts (with check list and warranty signed and mailed)
5 years compressor with registration on warranty.bravonorthamerica.com

| | | | | |
|-------------------------------|----------------------------|------------|--------|----------------|
| Width (A) | cm | 51 | inches | 20,1 |
| Depth (B) | cm | 97 | inches | 38,2 |
| Depth with base (C) | cm | 103,5 | inches | 40,7 |
| Height (H) | cm | 140 | inches | 55,1 |
| Weight | kg | 240 | lbs | 529 |
| Frame type | floor model | | | |
| Outer panels | stainless steel | | | |
| Capacity per cycle | Liters | 5 | Gal | 1,32 |
| Max. hourly production | Liters | 38 | Gal | 10 |
| Min. mix per cycle | Kg | 2 | Lbs | 4,4 |
| Max. mix per cycle | Kg | 4 | Lbs | 8,8 |
| Volume cylinder with mixer | Liters | 8,93 | Quarts | 9,43 |
| Volume cylinder without mixer | Liters | 9,46 | Quarts | 10 |
| Min. mixer speed | RPM 122 | | | |
| Max. mixer speed | RPM 250 | | | |
| Max power | kw | 2,8 | Hp | 3,7 |
| Voltage | 230 Volt / 60 Hz / 3 phase | | | |
| Running Amps | Amp 12,5 | | | |
| Breaker size | Amp 25 | | | |
| Drive motor | kw | 2,2 - 1,5 | Hp | 3 - 2 |
| Compressor power | kw | 1,3 | Hp | 1,75 |
| Compressor power | BTU/h 4094 | | | |
| Freon R404A | Gr | 2100 | Oz | 74,1 |
| Refrigeration condensation | Air | | | |
| Crate dimensions | cm | 109x69x172 | inches | 42,9x27,1x67,7 |
| Crate weight | kg | 330 | lbs | 727 |

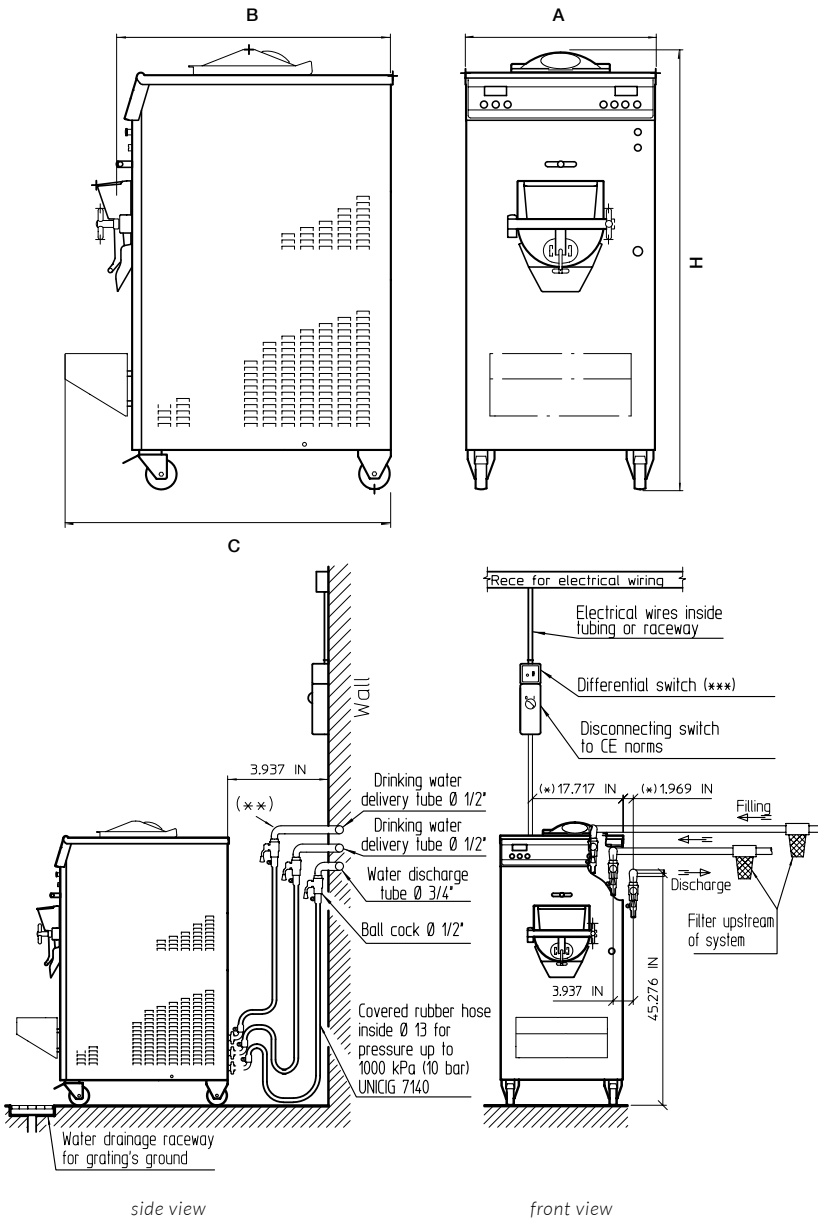


Bravo North America Inc. Office & Showroom, 810 Tyvola Road, Suite 130, Charlotte, NC 28217
tel. +1 980 237 2474 bravonorthamerica.com info@bravonorthamerica.com

Gelmatic 60 M

batch-freezer
for gelato & ice cream production
with cold process
water cooled

Model:
Quantity:
Project:
Company:
Contact:
Dealer ID:



(*) Even if the machine models vary, the water and electricity connection positions are always the same, i.e. on the LEFT side of the machine.
(**) Cocks are in vertical only for illustration purposes.
(***) 30 mA (ABB serie C).



Warranty: valid for the North American Continent (Canada, USA)
Extension: 12 months parts (with check list and warranty signed and mailed)
5 years compressor with registration on warranty.bravonorthamerica.com

| | | | | |
|-------------------------------|-----------------------|------------|--------|--------------|
| Width (A) | cm | 61 | inches | 24 |
| Depth (B) | cm | 95 | inches | 37,4 |
| Depth with base (C) | cm | 102,5 | inches | 40,4 |
| Height (H) | cm | 140 | inches | 55,1 |
| Weight | kg | 300 | lbs | 661 |
| Frame type | floor model | | | |
| Outer panels | stainless steel | | | |
| Capacity per cycle | Liters | 10 | Gal | 2,64 |
| Max hourly production | Liters | 75 | Gal | 19,8 |
| Min. mix per cycle | Kg | 4 | lbs | 8,8 |
| Max. mix per cycle | Kg | 8 | lbs | 17,6 |
| Volume cylinder with mixer | Liters | 15,83 | Quarts | 16,73 |
| Volume cylinder without mixer | Liters | 16,64 | Quarts | 17,58 |
| Min. mixer speed | RPM 122 | | | |
| Max. mixer speed | RPM 250 | | | |
| Max power | kw | 4,9 | Hp | 6,4 |
| Voltage | 230 Volt/60Hz/3 phase | | | |
| Running Amps | Amp 20,3 | | | |
| Breaker size | Amp 50 | | | |
| Drive motor | kw | 4,0 - 2,6 | Hp | 5,4 - 3,5 |
| Compressor power | kw | 2,8 | Hp | 3,75 |
| Compressor power | BTU/h 9553 | | | |
| Freon R404A | Gr | 2000 | Oz | 70,5 |
| Refrigeration condensation | Water | | | |
| Water connection Npt | cm | 1,27 | inches | 1/2 |
| Min. water pressure | bar | 1,5 | Psi | 20 |
| Max. water pressure | bar | 3 | Psi | 40 |
| Crate dimensions | cm | 110X80X172 | inches | 43x31,9x67,7 |
| Crate weight | kg | 380 | lbs | 837 |

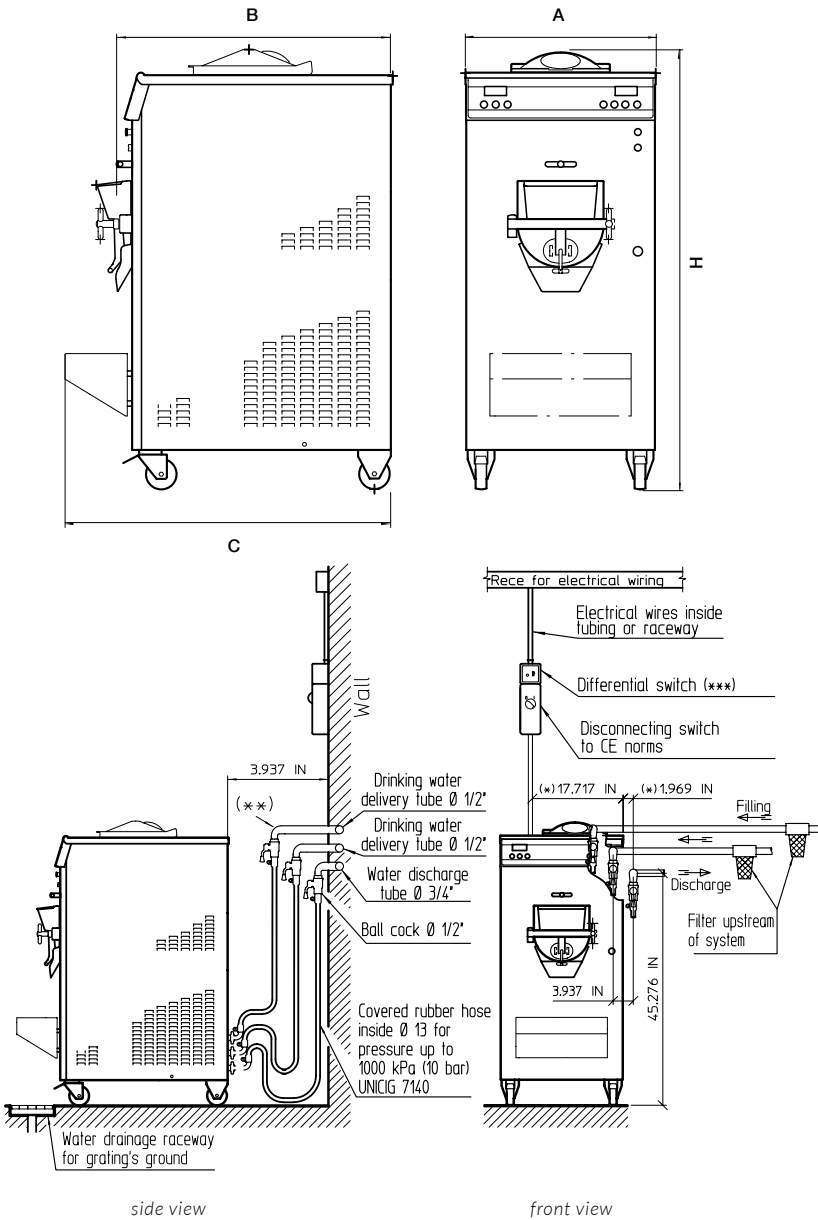


Bravo North America Inc. Office & Showroom, 810 Tyvola Road, Suite 130, Charlotte, NC 28217
tel. +1 980 237 2474 bravonorthamerica.com info@bravonorthamerica.com

Gelmatic 120 M

batch-freezer
for gelato & ice cream production
with cold process
water cooled

Model:
Quantity:
Project:
Company:
Contact:
Dealer ID:



(*) Even if the machine models vary, the water and electricity connection positions are always the same, i.e. on the LEFT side of the machine.
(**) Cocks are in vertical only for illustration purposes.
(***) 30 mA (ABB serie C).



Warranty: valid for the North American Continent (Canada, USA)
Extension: 12 months parts (with check list and warranty signed and mailed)
5 years compressor with registration on warranty.bravonorthamerica.com

| | | | | |
|-------------------------------|-----------------------|------------|--------|--------------|
| Width (A) | cm | 61 | inches | 24 |
| Depth (B) | cm | 115 | inches | 45,3 |
| Depth with base (C) | cm | 122,5 | inches | 48,2 |
| Height (H) | cm | 140 | inches | 55,1 |
| Weight | kg | 452 | lbs | 988 |
| Frame type | floor model | | | |
| Outer panels | stainless steel | | | |
| Capacity per cycle | Liters | 20 | Gal | 5,28 |
| Max hourly production | Liters | 135 | Gal | 35,7 |
| Min. mix per cycle | Kg | 8 | lbs | 17,6 |
| Max. mix per cycle | Kg | 16 | lbs | 35,3 |
| Volume cylinder with mixer | Liters | 26,05 | Quarts | 27,53 |
| Volume cylinder without mixer | Liters | 27,63 | Quarts | 29,2 |
| Min. mixer speed | RPM 122 | | | |
| Max. mixer speed | RPM 250 | | | |
| Max power | kw | 13,5 | Hp | 17,9 |
| Voltage | 230 Volt/60Hz/3 phase | | | |
| Running Amps | Amp 33,8 | | | |
| Breaker size | Amp 63 | | | |
| Drive motor | kw | 7,5 - 4,8 | Hp | 10 - 6,4 |
| Compressor power | kw | 5,5 | Hp | 7,4 |
| Compressor power | BTU/h 18766 | | | |
| Freon R404A | Gr | 3000 | Oz | 105,8 |
| Refrigeration condensation | Water | | | |
| Water connection Npt | cm | 1,27 | inches | 1/2 |
| Min. water pressure | bar | 1,5 | Psi | 20 |
| Max. water pressure | bar | 3 | Psi | 40 |
| Crate dimensions | cm | 132X79X175 | inches | 51,9x31x68,9 |
| Crate weight | kg | 590 | lbs | 1300 |



Bravo North America Inc. Office & Showroom, 810 Tyvola Road, Suite 130, Charlotte, NC 28217
tel. +1 980 237 2474 bravonorthamerica.com info@bravonorthamerica.com