



ISI-161TI



DESCRIPTION

- Slim and compact design
- Direct motor drive: less noise & vibration
- Agitator
- Mix low & out sensors

SPECIFICATIONS

Type	Countertop
Flavors	Single Flavor
Cooling	Air Cooled
Electrical	115V / 60Hz / 1Ph
Hopper Capacity	3.2 qt (0.8 gallon)
Cylinder Capacity	1.5 qt (0.4 gallon)
Power Consumption	1.88 HP (1,350 W)
Consecutive Dispensing	3 cups / 3.5 oz
Compressor - Cylinder	0.85 HP x 1 (R404A)

EXTERIOR

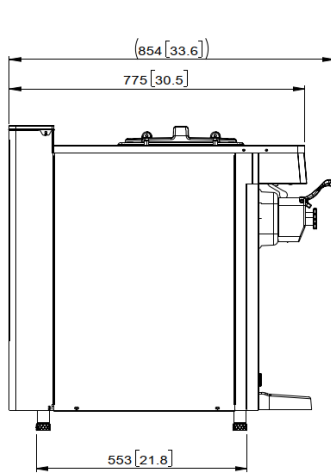
DIMENSION	MACHINE	SHIPPING
Width	12"	15"
Depth	31"	34"
Height	32"	36"
Weight	196 lbs	238 lbs

CERTIFICATIONS

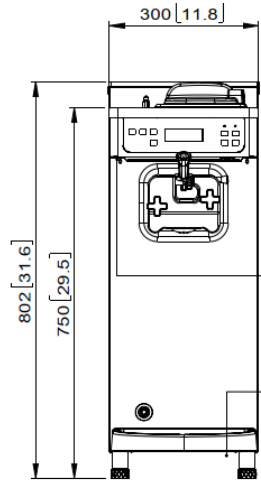


Design and specifications are subject to change without notice

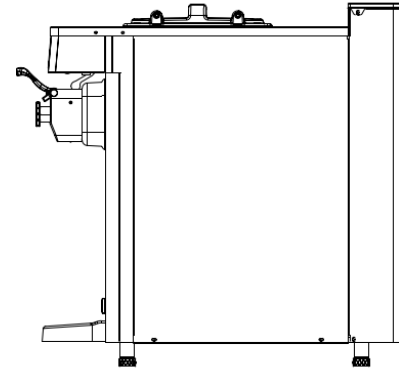
PLAN VIEW



LEFT SIDE



FRONT VIEW



RIGHT SIDE

DETAIL VIEW



Easy to control on the front LCD touch panel



Agitator
Mix low & out sensors



Air discharge on top

REV. 07/31/2024

Design and specifications are subject to change without notice

