

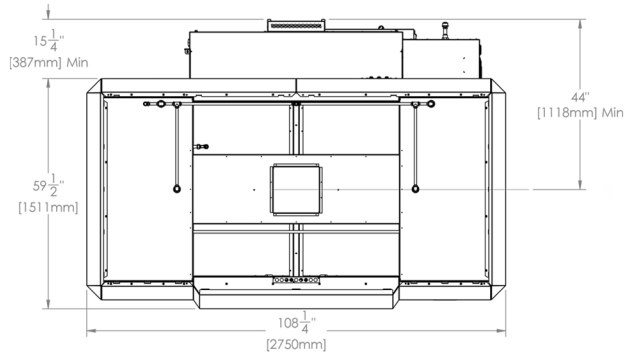


MODEL

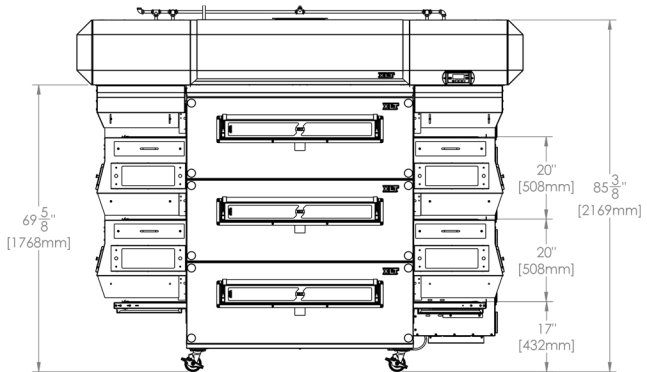
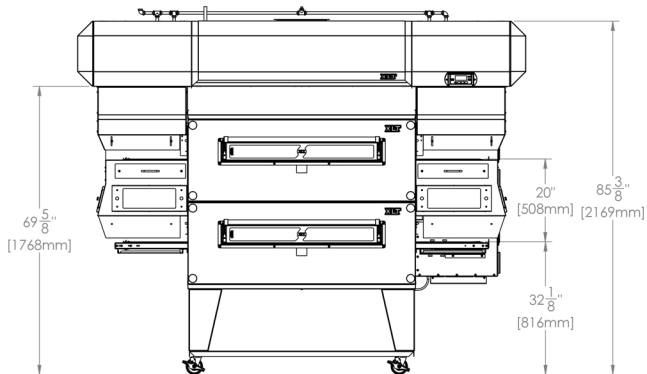
4455H

F-Version Hood

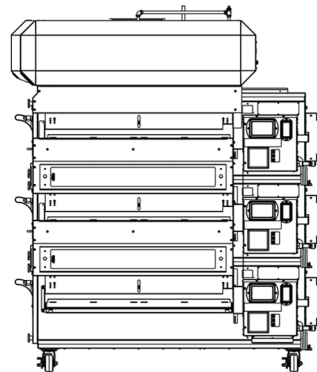
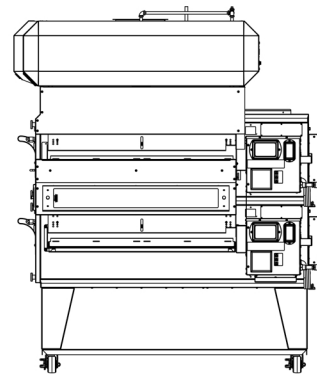
TOP VIEW



FRONT VIEWS



SIDE VIEWS



4455H

MODEL

F-Version



DATA SHEET

F-VERSION HOOD FOR XLT 4455 OVEN

ELECTRIC UTILITY SPECIFICATIONS

Inputs Into Electrical

| | Standard | World |
|-------|-------------|---------|
| VAC | 208/240 VAC | 230 VAC |
| Amps | 3 Amps | 3 Amps |
| Hz | 60 Hz | 50 Hz |
| Phase | 1 Phase | 1 Phase |

*Do not connect to 3 phase power. 1 phase only.

Output From Electrical

The XLT Hood System Provides:

Up to three (3) switching outputs for HVAC damper and/or dedicated unit.*

One (1) 230 VAC, 4.3 Amp, variable frequency, three (3) phase power output for the ventilation exhaust fan.
(Maximum output: 10 Amp)*

Relocation cord will physically connect into oven.

One (1) 24 VDC fire alarm signal.*

Up to three (3) receptacles for ovens.

*VFD only.

HOOD AND SHROUDS WEIGHT

| | Hood Only | | Hood & Shrouds | | | |
|--------------------------|-----------|-----|----------------|-----|--------|-----|
| | | | Double | | Triple | |
| | lbs | kg | lbs | kg | lbs | kg |
| Hood and/or Shrouds Only | 442 | 200 | 712 | 323 | 786 | 357 |

EXHAUST FLOW RATES

| | Double Stack | Triple Stack |
|-----------------------|--------------|--------------|
| CFM (All Ovens On) | 950 | 1360 |
| M3/Min (All Ovens On) | 26.90 | 38.51 |

*Figures represent TOTAL VOLUME measured at the duct (Minimum recommended). Refer to XLT Ovens I&O Manual for full complete information.

EXHAUST FAN AND CURB

Specs

| Dimensions | inches | mm | inches | mm | inches | mm |
|-------------------------|--------|-----|--------|-----|--------|------|
| | 31 | 787 | 31 | 787 | 67 | 1702 |
| Crated Weight (Stacked) | lbs | kg | | | | |
| | 185 | 84 | | | | |

OVEN & HOOD WARRANTY

| USA & Canada (Parts & Labor) | International (Parts & Labor) |
|---|---|
| 10 Years Oven & Hood Combo Purchase* | 7 Years Oven & Hood Combo Purchase |
| 7 Years Standard | 5 Years Standard |

*Pre-piped fire suppression system must be purchased on each oven and hood.

