

IMAGE



**XLT**  
SmartSolutions™

MODEL

**3880-DS** H-version

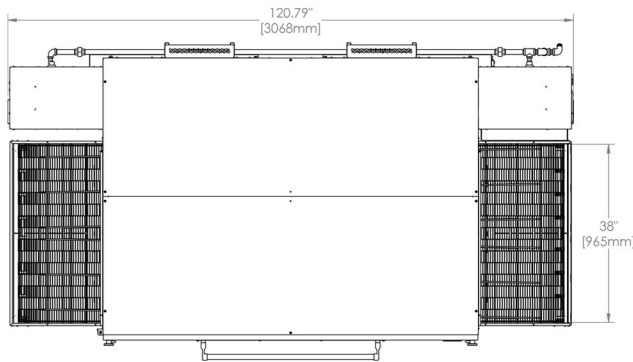
SIZE

**38" WIDE CONVEYOR  
80" LONG BAKE CHAMBER**

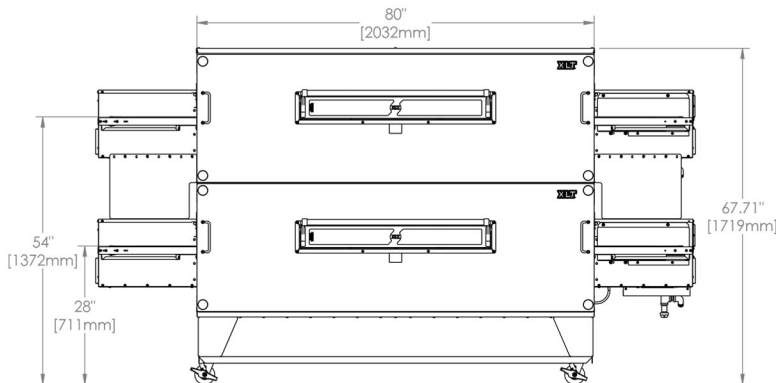
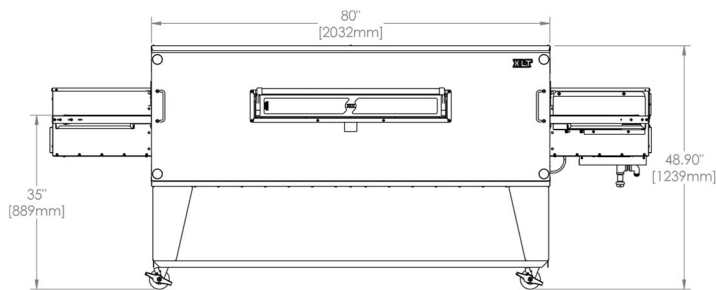
TYPE

**GAS**

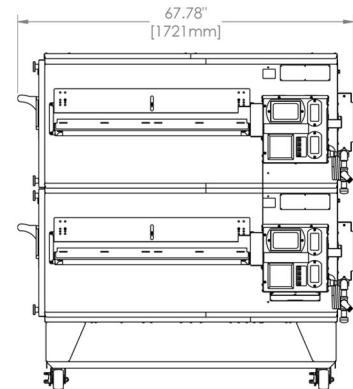
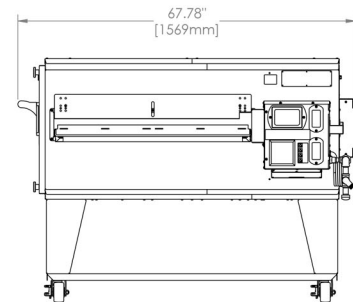
TOP VIEW



FRONT VIEWS



SIDE VIEWS



## DATA SHEET

### 3880H-DS GAS OVEN

#### Heating Value

Standard	World		
	Natural	Propane	Butane
235,000 BTU/Hr	68.87 Kw/Hr	68.87 Kw/Hr	73.85 Kw/Hr
	247.93 Mj/Hr	247.93 Mj/Hr	

#### Electrical Requirement

Standard	World
120 VAC, 8.5 Amps, 50/60 Hz	220/230/240 VAC Option, 7 Amps, 50/60 Hz

#### Inlet Pressure Range

	W/C	mbar	kPa	kPa (Korea)
Natural Gas	6-14	15-35	1.50 - 3.50	1.50 - 2.50
Propane Gas	11 - 14	27.5 - 35	2.75 - 3.50	2.30 - 3.30

#### Manifold Pressure Range

	W/C	mbar	kPa
Natural Gas	3.5	8.75	0.875
Propane Gas	10	25	2.50

#### Oven Weight

	Single (1 crate)		Double (2 crates)	
	lbs	kg	lbs	kg
Oven Only	1601	726	2925	1327

## OVEN WARRANTY

USA & Canada (Parts & Labor)	International (Parts & Labor)
7 Years   Standard	5 Years   Standard

