

IMAGE



**XLT**  
SmartSolutions™

MODEL

**3280-DS** H-version

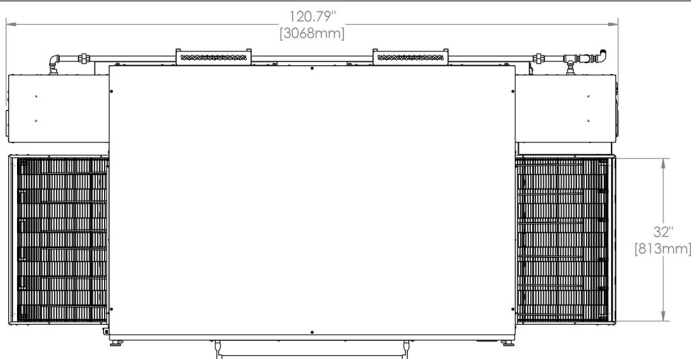
SIZE

**32" WIDE CONVEYOR  
80" LONG BAKE CHAMBER**

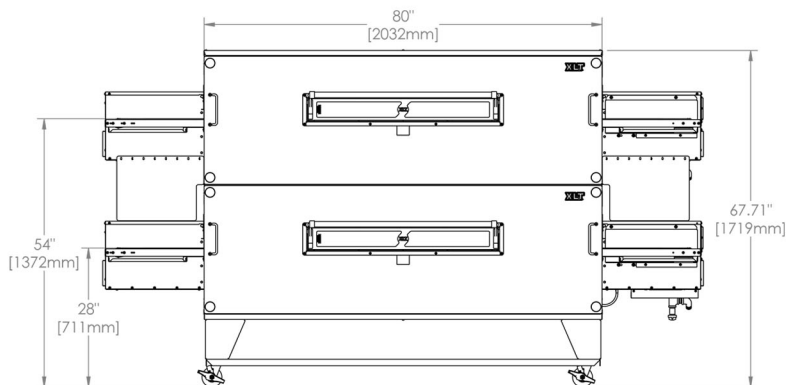
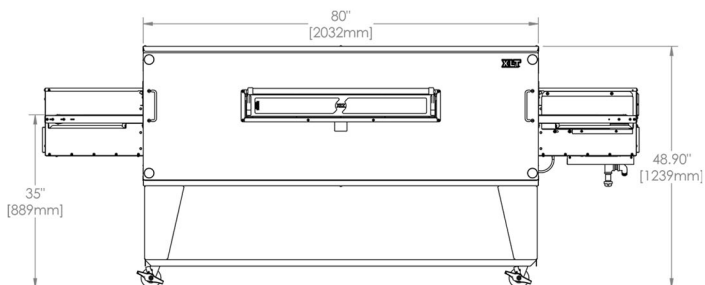
TYPE

**GAS**

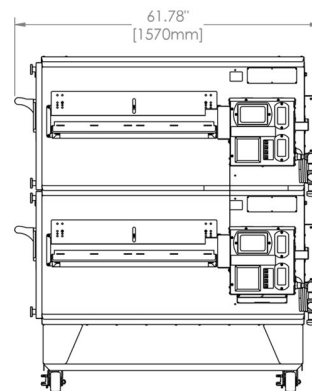
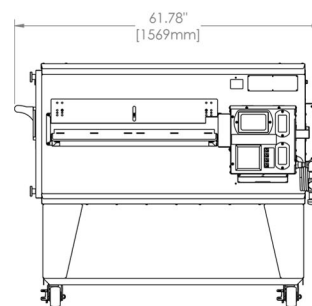
TOP VIEW



FRONT VIEWS



SIDE VIEWS



# 3280-DS H-version

## DATA SHEET 3280H GAS OVEN

### Heating Value

Standard	World		
	Natural	Propane	Butane
235,000 BTU/Hr	68.87 Kw/Hr	68.87 Kw/Hr	73.85 Kw/Hr
	247.93 Mj/Hr	247.93 Mj/Hr	

### Electrical Requirement

Standard	World
120 VAC, 8.5 Amps, 50/60 Hz	220/230/240 VAC Option, 7 Amps, 50/60 Hz

### Inlet Pressure Range

	W/C	mbar	kPa	kPa (Korea)
Natural Gas	6-14	15-35	1.50 - 3.50	1.50 - 2.50
Propane Gas	11 - 14	27.5 - 35	2.75 - 3.50	2.30 - 3.30

### Manifold Pressure Range

	W/C	mbar	kPa
Natural Gas	3.5	8.75	0.875
Propane Gas	10	25	2.50

### Oven Weight

Oven Only	Single (1 crate)		Double (2 crates)		Triple (3 crates)	
	lbs	kg	lbs	kg	lbs	kg
	1369	621	2496	1132	3789	1719

## OVEN WARRANTY

USA & Canada (Parts & Labor)	International (Parts & Labor)
7 Years   Standard	5 Years   Standard

