

IMAGE



**XLT**  
SmartSolutions™

MODEL

**3270-1B** H-version

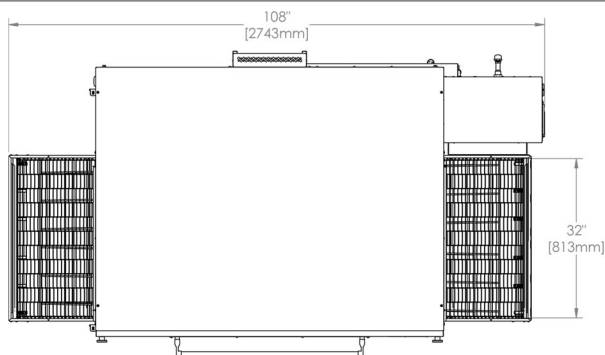
SIZE

**32" WIDE CONVEYOR  
70" LONG BAKE CHAMBER**

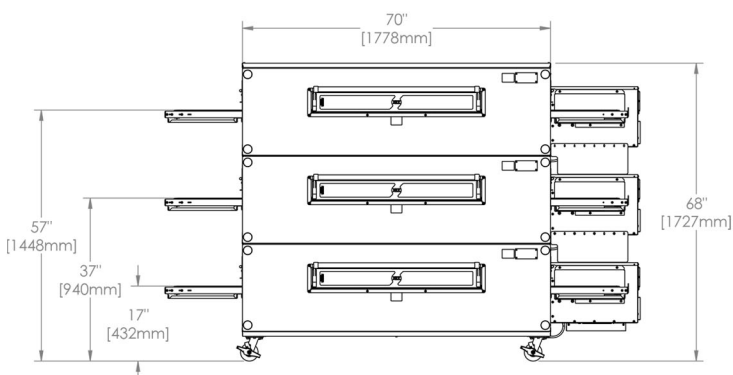
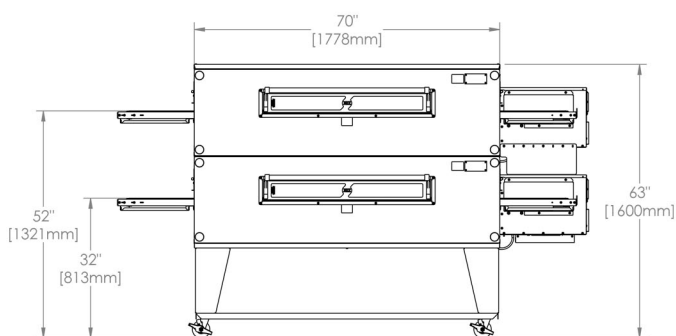
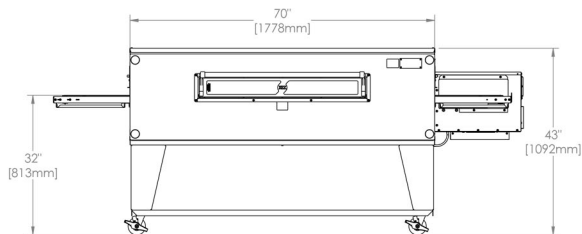
TYPE

**GAS**

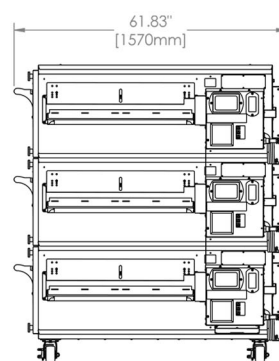
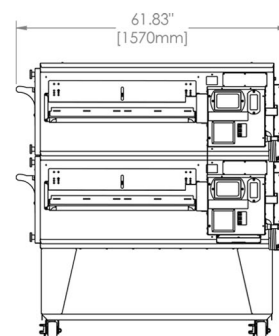
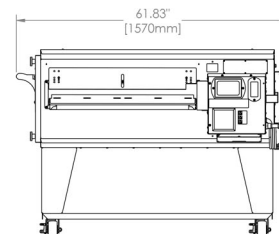
TOP VIEW



FRONT VIEWS



SIDE VIEWS



## DATA SHEET

### 3270H-1B GAS OVEN

Heating Value			
Standard	World		
	Natural	Propane	Butane
150,000 BTU/Hr	43.90 Kw/Hr	45.40 Kw/Hr	43.90 Kw/Hr
	158.26 Mj/Hr	163.44 Mj/Hr	

Electrical Requirement	
Standard	World
120 VAC, 4.8 Amps, 50/60 Hz	220/230/240 VAC Option, 3 Amps, 50/60 Hz

Inlet Pressure Range				
	W/C	mbar	kPa	kPa (Korea)
Natural Gas	6-14	15-35	1.50 - 3.50	1.50 - 2.50
Propane Gas	11 - 14	27.5 - 35	2.75 - 3.50	2.30 - 3.30

Manifold Pressure Range			
	W/C	mbar	kPa
Natural Gas	3.5	8.75	0.875
Propane Gas	10	25	2.50

Oven Weight	Single (1 crate)		Double (2 crates)		Triple (3 crates)	
	lbs	kg	lbs	kg	lbs	kg
Oven Only	1169	530	2119	961	3064	1390

## OVEN & HOOD WARRANTY

USA & Canada (Parts & Labor)	International (Parts & Labor)
<b>10</b> Years   Oven & Hood Combo Purchase*	<b>7</b> Years   Oven & Hood Combo Purchase
7 Years   Standard	5 Years   Standard

\*Pre-piped ANSUL system must be purchased on each oven and hood

