

IMAGE



XLT
SmartSolutions™

MODEL

3265-DS H-version

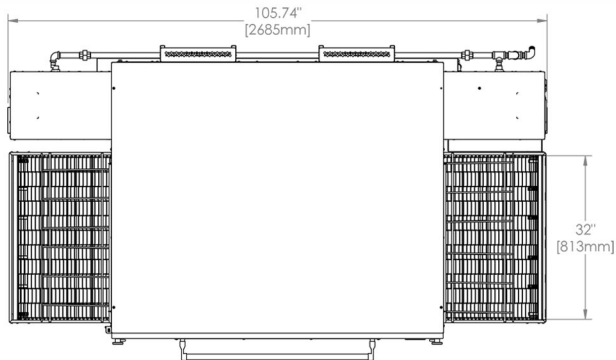
SIZE

**32" WIDE CONVEYOR
65" LONG BAKE CHAMBER**

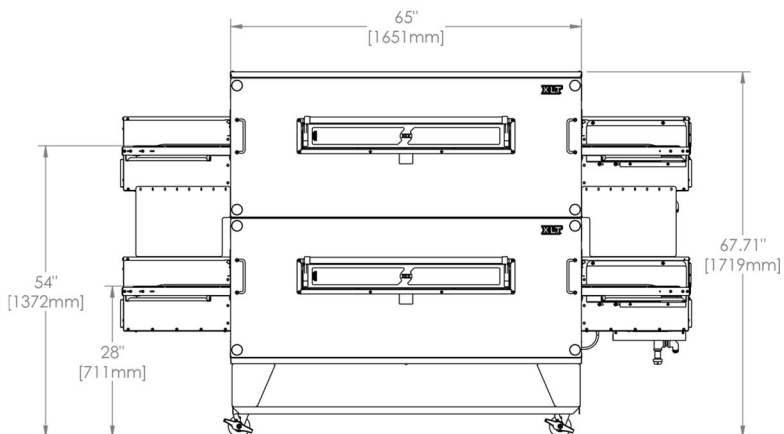
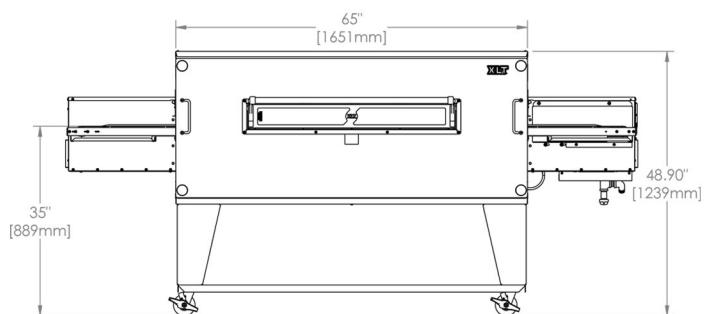
TYPE

GAS

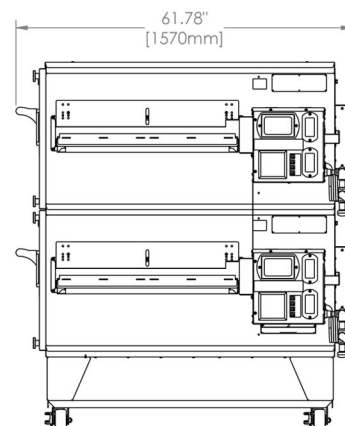
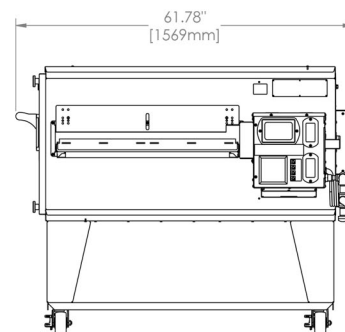
TOP VIEW



FRONT VIEWS



SIDE VIEWS



3265-DS H-version

DATA SHEET

3265H-DS GAS OVEN

Heating Value

Standard	World		
	Natural	Propane	Butane
209,000 BTU/Hr	61.25 Kw/Hr	61.25 Kw/Hr	65.94 Kw/Hr
	220.51 Mj/Hr	220.51 Mj/Hr	

Electrical Requirement

Standard	World
120 VAC, 8.5 Amps, 50/60 Hz	220/230/240 VAC Option, 7 Amps, 50/60 Hz

Inlet Pressure Range

	W/C	mbar	kPa	kPa (Korea)
Natural Gas	6-14	15-35	1.50 - 3.50	1.50 - 2.50
Propane Gas	11 - 14	27.5 - 35	2.75 - 3.50	2.30 - 3.30

Manifold Pressure Range

	W/C	mbar	kPa
Natural Gas	3.5	8.75	0.875
Propane Gas	10	25	2.50

Oven Weight

	Single (1 crate)		Double (2 crates)	
	lbs	kg	lbs	kg
Oven Only	1258	571	2303	1045

OVEN WARRANTY

USA & Canada (Parts & Labor)	International (Parts & Labor)
7 Years Standard	5 Years Standard

