

IMAGE

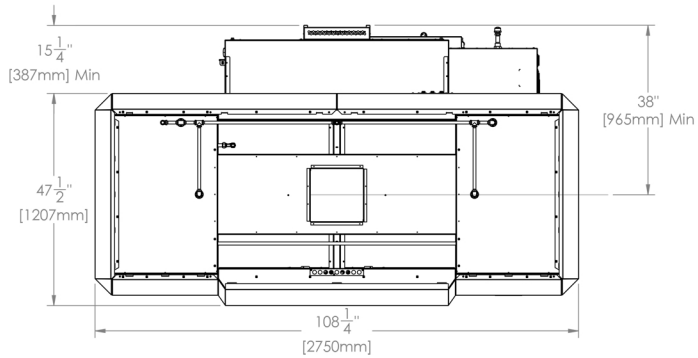
**XLT**  
SmartSolutions™

MODEL

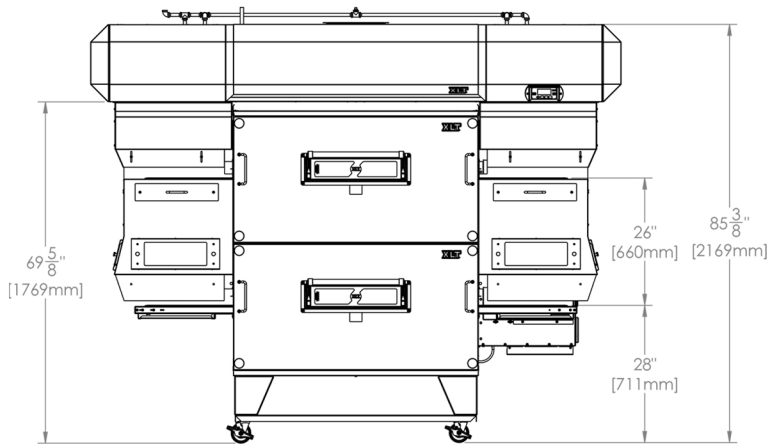
**3250H-DS**

**F-Version Hood**

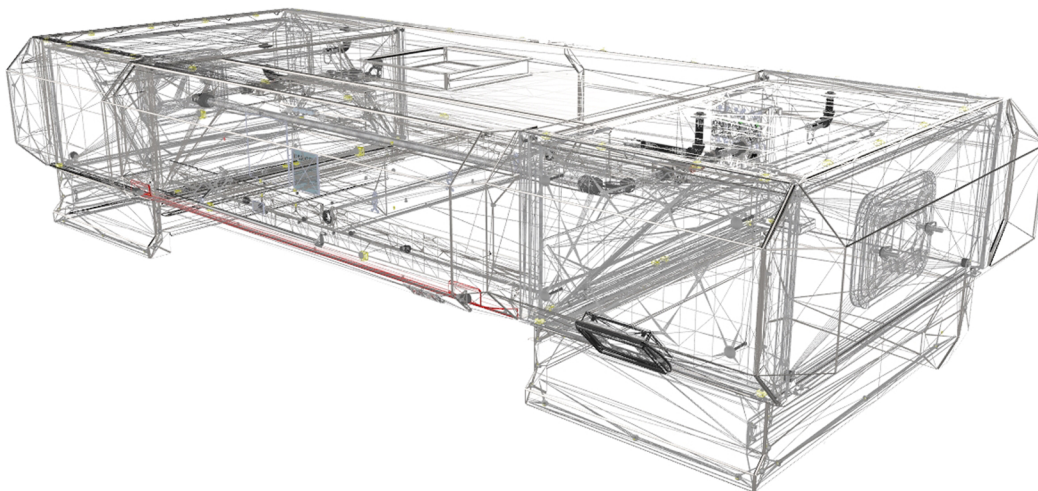
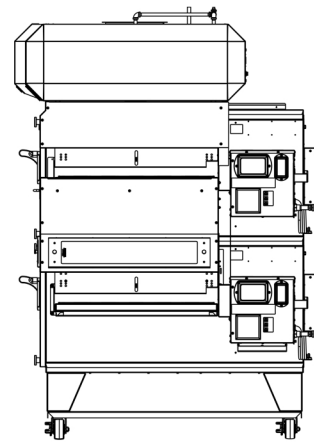
TOP VIEW



FRONT VIEWS



SIDE VIEWS



## DATA SHEET

### F-VERSION HOOD FOR XLT 3250-DS OVEN

#### ELECTRIC UTILITY SPECIFICATIONS

##### Inputs Into Electrical

	Standard	World
VAC	208/240 VAC	230 VAC
Amps	3 Amps	3 Amps
Hz	60 Hz	50 Hz
Phase	1 Phase	1 Phase

\*Do not connect to 3 phase power. 1 phase only.

##### Output From Electrical

The XLT Hood System Provides:

Up to three (3) switching outputs for HVAC damper and/or dedicated unit.\*

One (1) 230 VAC, 4.3 Amp, variable frequency, three (3) phase power output for the ventilation exhaust fan.

(Maximum output: 10 Amp)\*

Relocation cord will physically connect into oven.

One (1) 24 VDC fire alarm signal.\*

Up to three (3) receptacles for ovens.

\*VFD only.

#### HOOD AND SHROUDS WEIGHT

	Hood Only		Hood & Shrouds			
			Double		Triple	
	lbs	kg	lbs	kg	lbs	kg
Hood and/or Shrouds Only	389	176	619	281	N/A	N/A

#### EXHAUST FLOW RATES

	Double Stack	Triple Stack
CFM (All Ovens On)	670	960
M3/Min (All Ovens On)	18.97	27.18
Efficiency Comparison	19.08% More Efficient Than E-Version	23.44% More Efficient Than E-Version

\*Figures represent TOTAL VOLUME measured at the duct (Minimum recommended). Refer to XLT Ovens I&O Manual for full complete information.

#### EXHAUST FAN AND CURB

##### Specs

Dimensions	inches	mm	inches	mm	inches	mm
		31	787	31	787	67
Crated Weight (Stacked)	lbs	kg				
	185	84				

#### OVEN & HOOD WARRANTY

USA & Canada (Parts & Labor)	International (Parts & Labor)
<b>10</b> Years   Oven & Hood Combo Purchase*	<b>7</b> Years   Oven & Hood Combo Purchase
7 Years   Standard	5 Years   Standard

\*Pre-piped fire suppression system must be purchased on each oven and hood.

