

IMAGE



XLT
SmartSolutions™

MODEL

2336

H-version

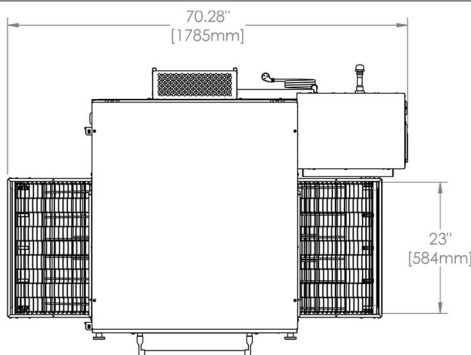
SIZE

**23" WIDE CONVEYOR
36" LONG BAKE CHAMBER**

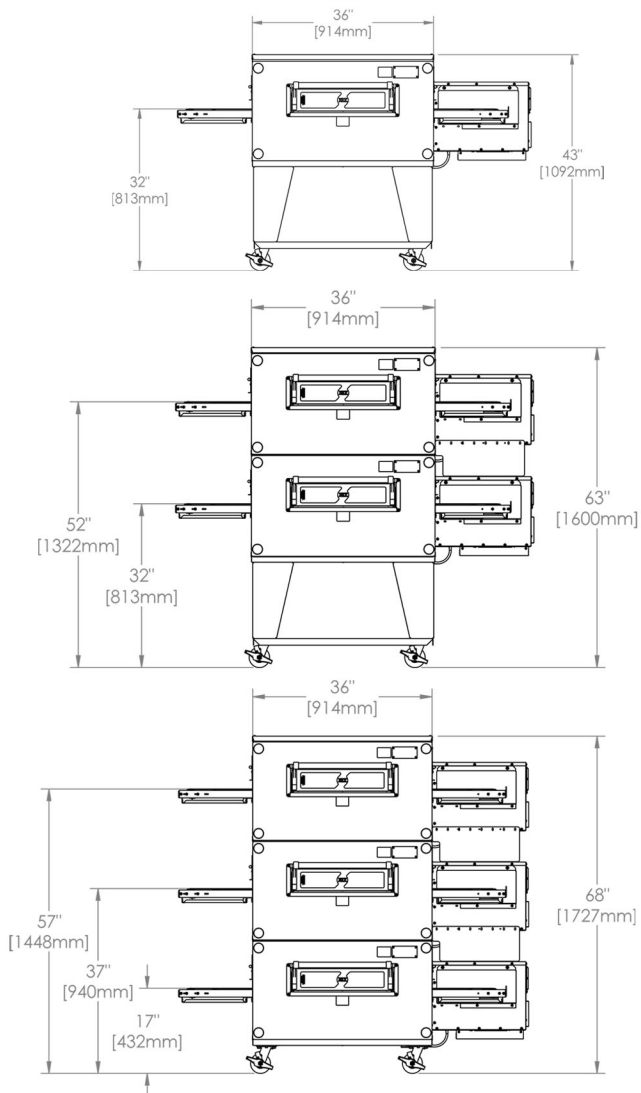
TYPE

GAS & ELECTRIC

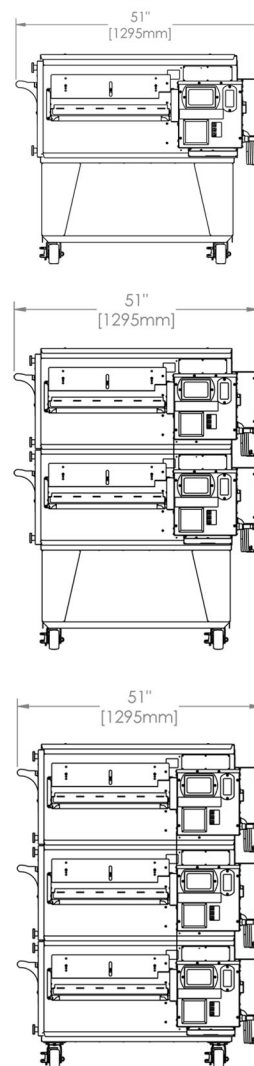
TOP VIEW



FRONT VIEWS



SIDE VIEWS



2336

MODEL

H-version



DATA SHEET

2336H GAS OVEN

Heating Value

Standard	World		
	Natural	Propane	Butane
71,000 BTU/Hr	20.80 Kw/Hr	20.80 Kw/Hr	25.00 Kw/Hr
	74.91 Mj/Hr	74.91 Mj/Hr	

Electrical Requirement

Standard	World
120 VAC, 4.8 Amps, 50/60 Hz	220/230/240 VAC Option, 3 Amps, 50/60 Hz

Inlet Pressure Range

	W/C	mbar	kPa	kPa (Korea)
Natural Gas	6-14	15-35	1.50 - 3.50	1.50 - 2.50
Propane Gas	11-14	27.5 - 35	2.75 - 3.50	2.30 - 3.30

Manifold Pressure Range

	W/C	mbar	kPa
Natural Gas	3.5	8.75	0.875
Propane Gas	10	25	2.50

Oven Weight

Oven Only	Single (1 crate)		Double (2 crates)		Triple (3 crates)	
	lbs	kg	lbs	kg	lbs	kg
	634	288	1151	522	1502	681

2336H ELECTRIC OVEN

Electrical Requirement

	Standard	World
VAC	208/240 VAC	380/415 VAC
Amps	45/39 Amps	31/24 Amps
Hz	60 Hz	50 Hz
Wire Service	4 Wire Service - L1, L2, L3 +1 Ground (per oven)	5 Wire Service - L1, L2, L3 N+2 Grounds (per oven)
Phase	3 Phase	3 Phase
Kw	16 Kw	16/15 Kw

Oven Weight

Oven Only	Single (1 crate)		Double (2 crates)		Triple (3 crates)	
	lbs	kg	lbs	kg	lbs	kg
	642	291	1167	529	1664	755

OVEN WARRANTY

USA & Canada (Parts & Labor)	International (Parts & Labor)
7 Years Standard	5 Years Standard

