

# 152

## Soft Serve Freezer

Single Flavor, Taylormate®

### Features

Offer all the popular soft serve variations from low or non-fat ice creams to custards, yogurt and sorbet.

### Freezing Cylinder

One, 1.5 quart (1.4 liter).

### Mix Hopper

One, 8 quart (7.6 liter). Separate hopper refrigeration (SHR) maintains mix below 41°F (5°C) in Auto and Standby modes.

### Indicator Lights

The Mix Low light alerts the operator to add mix.

### Solid State Controls

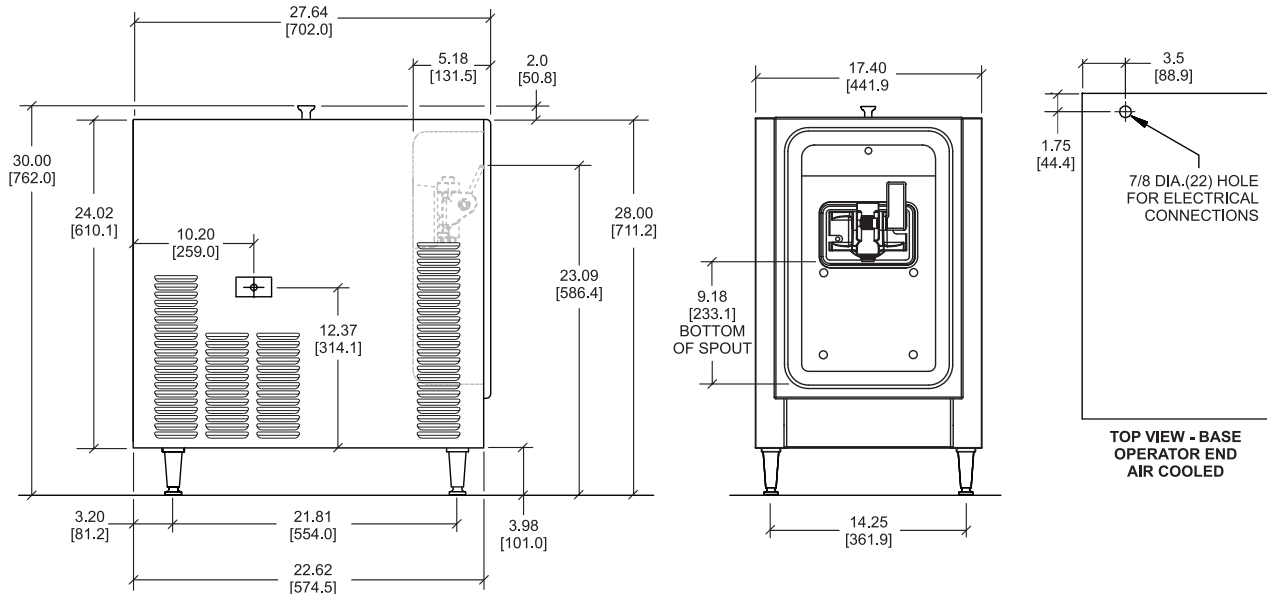
Taylor Quality Control (TQC) precisely monitors viscosity to maintain consistent quality.

### Standby

During long no-use periods, the standby feature maintains safe product temperatures in the mix hopper and freezing cylinder.



# 152 Soft Serve Freezer



FIGURES IN BRACKETS INDICATE MILLIMETERS / DECIMAL AND FRACTIONAL DIMENSIONS EQUAL TO ( PLUS OR MINUS 1/16 INCH [1.5mm] ).

Weights	lbs.	kgs.
Net	212	96.2
Crated	243	110.2
Volume	cu. ft.	cu. m.
Volume	21.1	0.60
Dimensions	in.	mm.
Width	17-7/16	441.9
Depth	27-11/16	702.0
Height	30	711.2
Counter Clearance	3-15/16	101.0

\*Mounted on standard legs

Electrical	Total Amps	Supplied with NEMACord
115/60/1 Air	16.0	5-20P
208-230/60/1 Air	10.2	6-15P
220-240/50/1 Air	7.8	----

This unit may be manufactured in other electrical characteristics. Refer to the local Taylor Distributor for availability.

(For exact electrical information, always refer to the data label of the unit.)

## Bidding Specs

Electrical: Volt \_\_\_\_\_ Hz \_\_\_\_\_ ph \_\_\_\_\_  
 Neutral:  Yes  No | Cooling:  Air  Water  NA

Options: \_\_\_\_\_

## Specifications

### Electrical

One dedicated electrical connection is required. See the Electrical chart for the proper electrical requirements. Manufactured to be cord connected. Consult the international Taylor distributor for cord & receptacle specifications for 50 Hz. equipment.

### Beater Motor

One, 0.5 HP

### Refrigeration System

One, 3,000 BTU/hr. R404A.

Separate Hopper Refrigeration (SHR), One, 400 BTU/hr. R134a. (BTUs may vary depending on compressor used.)

### Air Cooled

Minimum 6" (152 mm) on both sides. Install the skirt provided on the right side of the unit and place the back of the unit against a wall to prevent recirculation of warm air. Minimum air clearances must be met to assure adequate air flow for optimum performance.

## Options

- Cone Dispenser

Continuing research results in steady improvements; therefore, these specifications are subject to change without notice.



Taylor Company,  
 Rockton, Illinois 61072  
 815-624-8333 **800-255-0626** Fax 815-624-8000  
[www.taylor-company.com](http://www.taylor-company.com)