



Item No. \_\_\_\_\_

# 60

## Shake Freezer

Four Flavor



### Features

Offer four separate shake flavors: chocolate, strawberry, vanilla (unflavored shake mix) and an optional flavor.

#### Freezing Cylinder

One, 7 quart (6.6 liter).

#### Mix Hopper

One, 20 quart (18.9 liter). Separate hopper refrigeration (SHR) maintains mix below 41°F (5°C).

#### Indicator Lights

Add Mix light alerts the operator to add mix. When the Mix Out light flashes, the unit automatically shuts down to prevent damage.

#### Accurate Consistency Control

Torque control precisely maintains superior shake quality in texture, viscosity and taste.

#### Shake Syrup System

Shake flavors are selected from push buttons. Self-contained air compressor delivers shake syrup from three, 1 gallon (3.8 liter) syrup tanks located in the lower front compartment. Use only single strength syrup, free from pulp and seeds.

#### Automatic Dispensing

Press the desired flavor button, and either raise the draw handle or use the foot pedal for hands free dispensing. Frozen shake mix and syrup automatically blends to dispense the chosen flavor. Press the Rinse button to eliminate flavor carryover. Rinse water connection under unit is 3/8" FPT.

#### Two Locking Casters

Front casters have a locking feature for operators to keep equipment in place. The lock can be released to move the equipment for cleaning.



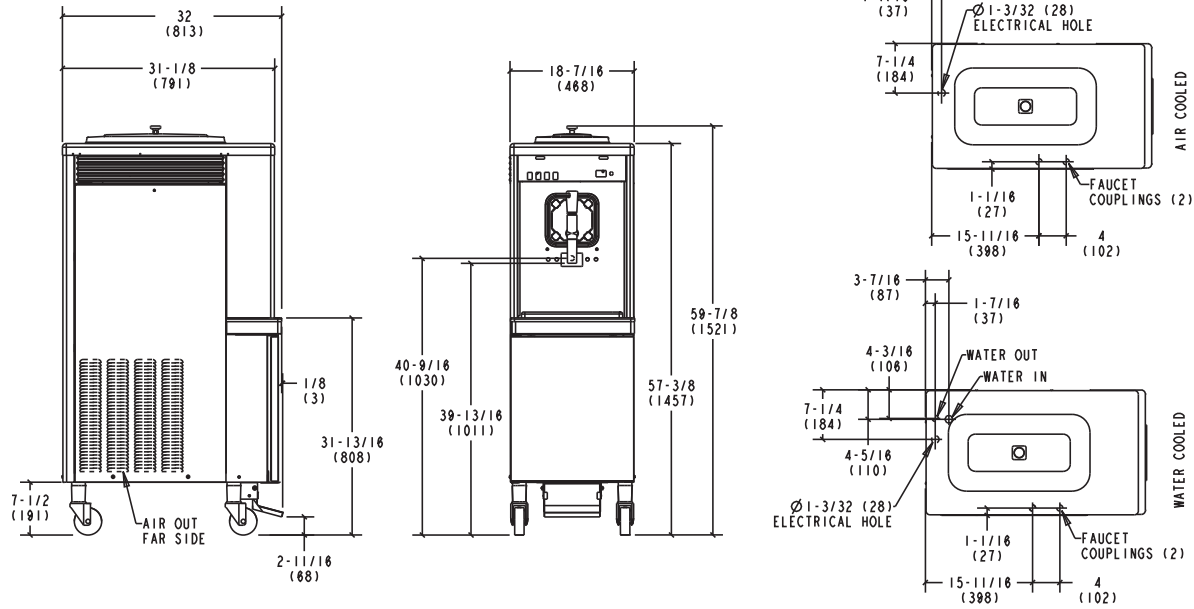
Rockton, Illinois 61072  
**800-255-0626**  
Phone 815-624-8333 Fax 815-624-8000  
**www.taylor-company.com**  
e-mail: info@taylor-company.com

International Office  
Taylor Company S.r.l.  
Roma, Italy  
Tel: **+39-06-420-12002** Fax: +39-06-420-12034  
e-mail: romeoff@taylor-company.com

ISO 9001:2000  
Registered Firm

# 60 Shake Freezer

60



NOTE:  
FIGURES IN PARENTHESES  
INDICATE MILLIMETERS.

TOP VIEW - OPERATOR END  
ALL CONNECTIONS LOCATED UNDERSIDE OF BASE

Weights	lbs.	kgs.
Net	520	235.9
Crated	531	240.9
Volume	cu. ft.	cu. m.
	35	0.99

Dimensions	in.	mm.
Width	18-7/16	468
Depth	32	813
Height	59-7/8	1521
Floor Clearance	7-1/2	191

\*Mounted on standard casters

Electrical	Maximum Fuse Size	Minimum Circuit Ampacity	Poles (P) Wires (W)
208-230/60/1 Air	30	24	2P 3W
208-230/60/1 Water	30	23	2P 3W
208-230/60/3 Air	20	16	3P 4W
208-230/60/3 Water	20	16	3P 4W
220-240/50/1 Air	20	18	2P 3W
380-415/50/3N~ Air	12	10	4P 5W

This unit may be manufactured in other electrical characteristics. Refer to the local Taylor Distributor or availability.  
(For exact electrical information, always refer to the data label of the unit.)

### Bidding Specs

Electrical: Volt \_\_\_\_\_ Hz \_\_\_\_\_ ph \_\_\_\_\_  
Neutral:  Yes  No    Cooling:  Air  Water  NA

Options: \_\_\_\_\_

## Specifications

### Electrical

One dedicated electrical connection is required. See the Electrical chart for the proper electrical requirements. Manufactured to be permanently connected. Consult your local Taylor distributor for cord & receptacle specifications as local codes allow.

### Beater Motor

One, 1.0 HP

### Refrigeration System

One, 11,000 BTU/hr. R404A.  
Separate Hopper Refrigeration (SHR), One, 400 BTU/hr. R134a.  
(BTUs may vary depending on compressor used.)

### Air Cooled

Minimum Clearance: 6" (152 mm) on all sides. Minimum air clearances must be met to assure adequate air flow for optimum performance.

### Water Cooled

Water inlet and drain connections under side of base 3/8" FPT.

## Options

- Faucet
- Hopper Locks
- Panel Spinner
- Magnetic Self Service Decal

Continuing research results in steady improvements; therefore, these specifications are subject to change without notice.



**Taylor Company,**  
A Division of Carrier Commercial Refrigeration, Inc.  
Rockton, Illinois 61072  
815-624-8333 **800-255-0626** Fax 815-624-8000  
[www.taylor-company.com](http://www.taylor-company.com)

Printed in U.S.A.

049294-ADV 10/10