

Trittico® M 50

combi machine for gelato & ice cream
hot process production
water cooled



Easy and fast

Trittico® Mechanic produces gelato in an easy and fast way, in compliance with HACCP regulations, maintaining strict hygiene conditions.

Technical features

- Dual Mode System, for gelato and premium Ice-cream production
- Cylinder type: patented stainless steel “multi-point” injection system
- Sheet resistance heating system
- Automatic temperature control thanks to advanced thermoregulators with “sensible touch” displays
- Patented internal connection between upper and lower tank
- Refrigeration system: patented stainless steel plate condenser
- Three blade stainless steel mixer with interchangeable scrapers
- Two-speed mixer
- Front door made in Makrolon® (special thermal insulating material)
- Charging hopper allows for a fast charge of the mix, flavors and other ingredients
- Acoustic signal tells you when gelato is ready
- Probe in direct contact with the mix

Advantages and strengths

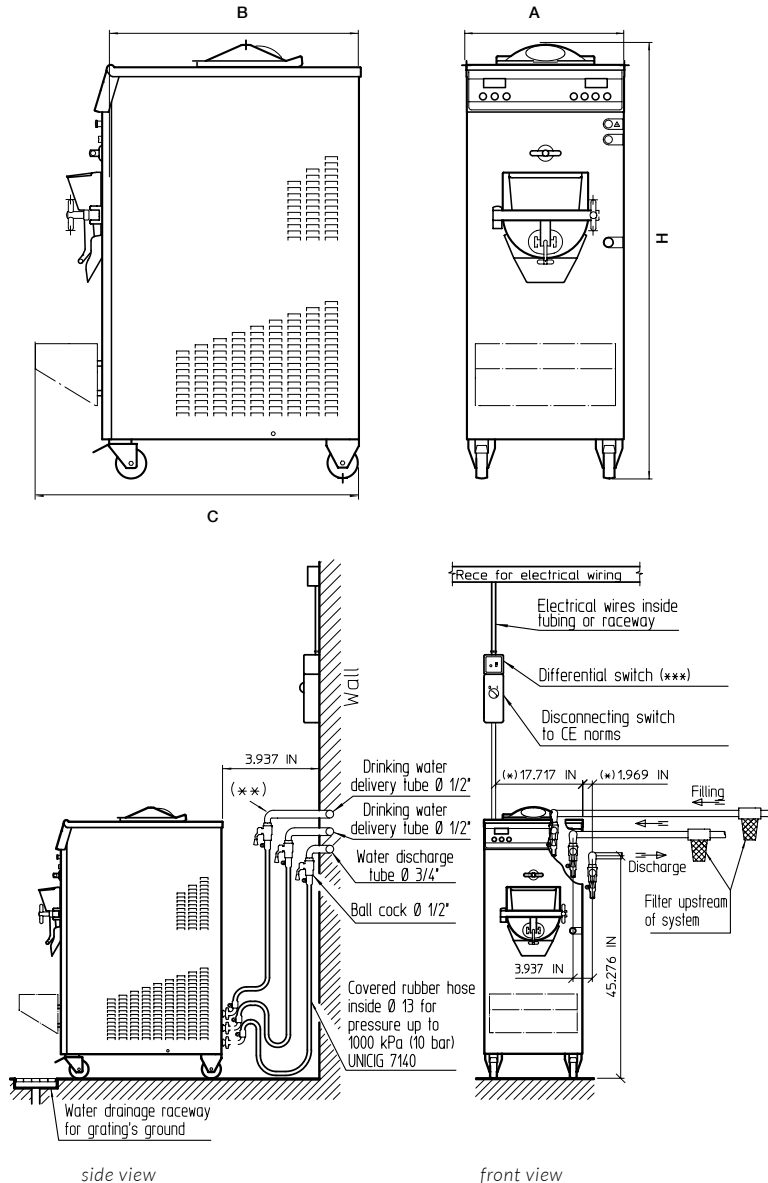
- Extremely easy to use
- Consumption saving machine
- Easy mixture loading
- Ingredients can be added during each heating or freezing phase
- Thermal shock due to fast temperature decrease from 85°C to 4°C, allowing the highest hygiene of the mixture
- Short freezing time
- Fast gelato extraction system
- Extremely easy to handle and clean



Trittico M 50

combi machine for gelato & ice cream
hot process production
water cooled

Model:
Quantity:
Project:
Company:
Contact:
Dealer ID:



(*) Even if the machine models vary, the water and electricity connection positions are always the same, i.e. on the LEFT side of the machine.
(**) Cocks are in vertical only for illustration purposes.
(***) 30 mA (ABB serie C).



Warranty: valid for the North American Continent (Canada, USA)
Extension: 12 months parts (with check list and warranty signed and mailed)
5 years compressor with registration on warranty.bravonorthamerica.com

Width (A)	cm	51	inches	20,1
Depth (B)	cm	95	inches	37,4
Depth with base (C)	cm	102,5	inches	40,4
Height (H)	cm	140	inches	55,1
Weight	kg	295	lbs	642
Frame type	floor model			
Outer panels	stainless steel			
Capacity per cycle	Liters	7	Gal	1,84
Max hourly production	Liters	45	Gal	11,88
Min. mix per cycle	Kg	2,5	lbs	5,5
Max. mix per cycle	Kg	5,5	lbs	12,1
Volume cylinder with mixer	Liters	11,78	Quarts	12,45
Volume cylinder without mixer	Liters	12,42	Quarts	13,12
Min. mixer speed	RPM 122			
Max. mixer speed	RPM 250			
Max power	kw	6,2	Hp	8,3
Voltage	230 Volt/60Hz/3 phase			
Running Amps	Amp 21			
Breaker size	Amp 30			
Stirrer motor	kw	0,22	Hp	0,3
Drive motor	kw	3,3 - 2,2	Hp	4,5 - 3
Compressor power	kw	2,8	Hp	3,75
Compressor power	BTU/h 9349			
Freon R404A	Gr	1200	Oz	42
Refrigeration condensation	Water			
Water connection Npt	cm	1,27	inches	1/2
Min. water pressure	bar	1,5	Psi	20
Max. water pressure	bar	3	Psi	40
Crate dimensions	cm	110x63x167	inches	43,3x27,1x65,7
Crate weight	kg	360	lbs	793



Bravo North America Inc. Office & Showroom, 810 Tyvola Road, Suite 130, Charlotte, NC 28217
tel. +1 980 237 2474 bravonorthamerica.com info@bravonorthamerica.com