

Trittico® M 18

combi machine for gelato & ice cream
hot process production
water cooled



Easy and fast

Trittico® Mechanic produces gelato in an easy and fast way, in compliance with HACCP regulations, maintaining strict hygiene conditions.

Technical features

- Cylinder type: patented stainless steel “multi-point” injection system
- Sheet resistance heating system
- Automatic temperature control thanks to advanced thermoregulators with “sensible touch” displays
- Patented internal connection between upper and lower tank
- Refrigeration system: patented stainless steel plate condenser
- Two blade stainless steel mixer with interchangeable scrapers
- Two-speed mixer
- Front door made in Makrolon® (special thermal insulating material)
- Charging hopper allows for a fast charge of the mix, flavors and other ingredients
- Acoustic signal tells you when gelato is ready
- Probe in direct contact with the mix

Advantages and strengths

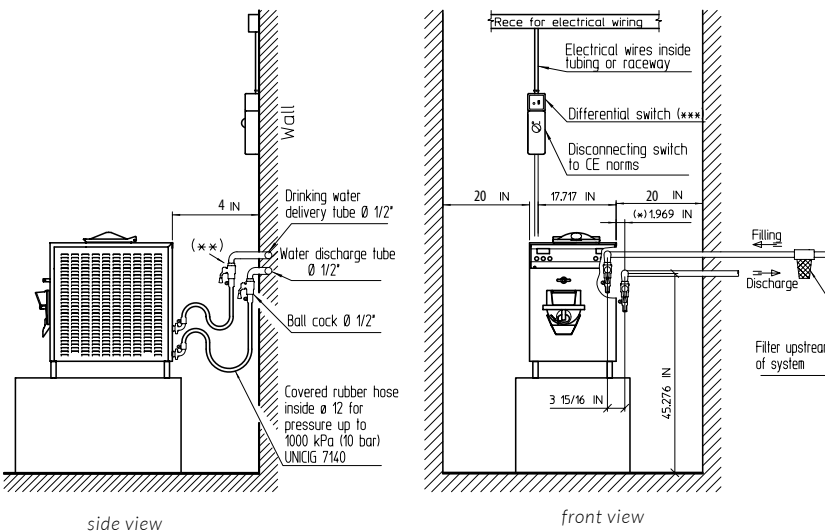
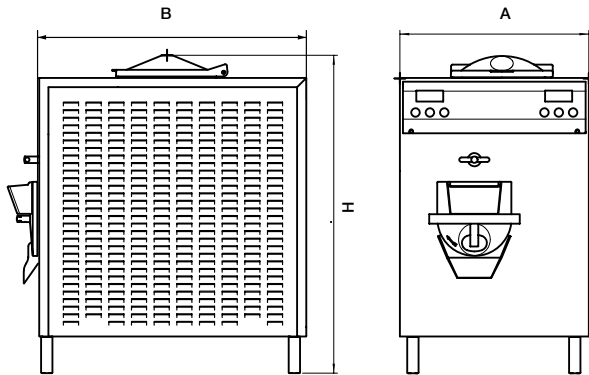
- Extremely easy to use
- Consumption saving machine
- Easy mixture loading
- Ingredients can be added during each heating or freezing phase
- Thermal shock due to fast temperature decrease from 85°C to 4°C, allowing the highest hygiene of the mixture
- Short freezing time
- Fast gelato extraction system
- Extremely easy to handle and clean



Trittico M 18

combi machine for gelato & ice cream
hot process production
water cooled

Model:
Quantity:
Project:
Company:
Contact:
Dealer ID:



(*) Even if the machine models vary, the water and electricity connection positions are always the same, i.e. on the LEFT side of the machine.
(**) Cocks are in vertical only for illustration purposes.
(***) 30 mA (ABB serie C).

Width (A)	cm	50	inches	19,7
Depth (B)	cm	81	inches	32
Height (H)	cm	84	inches	33,1
Weight	kg	117	lbs	258
Frame type	countertop			
Outer panels	stainless steel			
Capacity per cycle	Liters	3	Gal	0,79
Max hourly production	Liters	18	Gal	4,8
Min. mix per cycle	Kg	1,5	lbs	3,3
Max. mix per cycle	Kg	2,5	lbs	5,5
Volume cylinder with mixer	Liters	5,7	Quarts	6
Volume cylinder without mixer	Liters	6,1	Quarts	6,5
Min. mixer speed	RPM 122			
Max. mixer speed	RPM 250			
Max power	kw	5,2	Hp	7
Voltage	230 Volt/60Hz/3 phase			
Running Amps	Amp 17,7			
Breaker size	Amp 30			
Stirrer motor	kw	0,22	Hp	0,3
Drive motor	kw	1,1	Hp	1,5
Compressor power	kw	1,2	Hp	1,6
Compressor power	BTU/h 3200			
Freon R404A	Gr	1080	Oz	38,1
Refrigeration condensation	Water			
Water connection Npt	cm	1,27	inches	1/2
Min. water pressure	bar	1,5	Psi	20
Max. water pressure	bar	3	Psi	40
Crate dimensions	cm	100X63X105	inches	39,4x24,2x41,3
Crate weight	kg	159	lbs	350



Warranty: valid for the North American Continent (Canada, USA)
Extension: 12 months parts (with check list and warranty signed and mailed)
5 years compressor with registration on warranty.bravonorthamerica.com



Bravo North America Inc. Office & Showroom, 810 Tyvola Road, Suite 130, Charlotte, NC 28217
tel. +1 980 237 2474 bravonorthamerica.com info@bravonorthamerica.com