

Trittico® Executive 183

Combined machine with ionic-system and double inverter
for pastry products, chocolate, savoury food and gelato
water cooled



Absolute Creative Freedom

Trittico® Executive is the first and only complete laboratory enclosed in just one machine: more than 40 years of innovation in less than 10 square feet. Trittico® Executive harbors the unique synergy of ancient experience, craftsmanship, and avantgarde technology in its very heart. For the art of pastry making, chocolate, top quality gelato, and for the highest levels of international cuisine.

Technical features

- Ingredients can be added during each heating or freezing phase
- Double inverter for upper tank stirrer with 3 speeds and batch-freezer mixer with 8 speeds
- Sheet resistance heating system: very quick heating process, no thermal hysteresis, high temperature precision, product never burns
- Patented ionic® System control: it detects the right percentage of frozen water in the mixture in order to obtain the proper gelato/sorbet consistency and volume
- Thermal shock due to fast temperature decrease from 85°C to 4°C: it allows the highest sanitizing of the product and the highest hygiene of the mixture
- Software programmed with multiple recipes
- Chute for direct extraction

Advantages and strengths

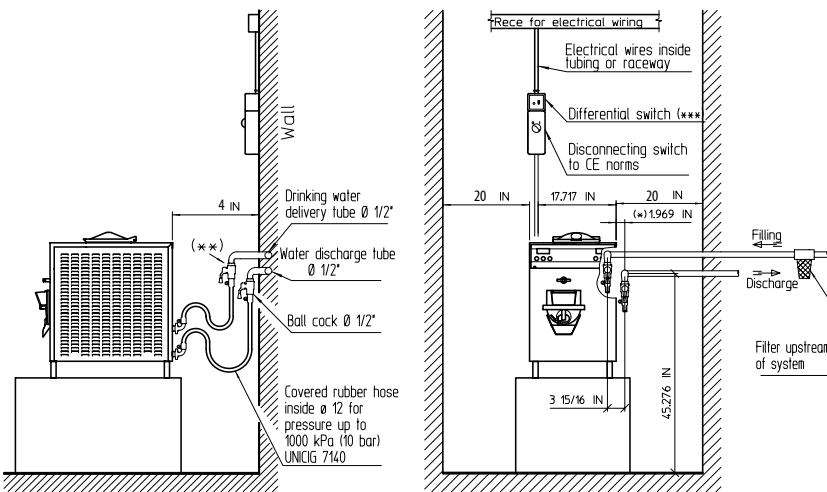
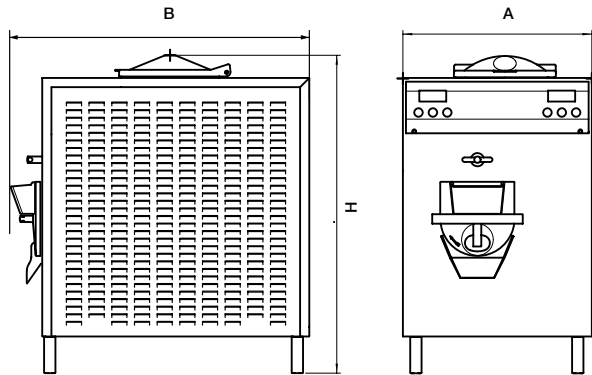
- Very easy and convenient product loading
- Mixing speed can be changed either automatically or manually
- Fast washing operations
- Max hygiene
- Extremely easy to handle and clean



Trittico Executive 183

Combined machine with ionic-system and double inverter for pastry products, chocolate, savoury food and gelato water cooled

Model:
 Quantity:
 Project:
 Company:
 Contact:
 Dealer ID:



side view

front view

(*) Even if the machine models vary, the water and electricity connection positions are always the same, i.e. on the LEFT side of the machine.
 (**) The cock is higher for illustration requirements.
 In really it must be placed side by side with the other.
 (***) 300 mA (ABB serie K)

Width (A)	cm	50	inches	19,7
Depth (B)	cm	81	inches	32
Height (H)	cm	84	inches	33,1
Weight	kg	122	lbs	269
Frame type	countertop			
Outer panels	stainless steel			
Capacity per cycle	Liters	3	Gal	0,8
Max. hourly production for gelato	Liters	18	Gal	4,75
Max. hourly production for pastry	based on the product that has to be produced			
Min. mix per cycle	Kg	1,5	Lbs	3,3
Max. mix per cycle	Kg	2,5	Lbs	5,5
Volume cylinder with mixer	Liters	5,7	Quarts	6
Volume cylinder without mixer	Liters	6,1	Quarts	6,5
Stirrer speed	3 speeds from 30 to 110 RPM			
Mixer speed	8 speed from 20 to 240 RPM			
Max power	kw	5,3	Hp	7,1
Voltage	230 Volt / 60 Hz / 3 phase			
Running Amps	Amp 17,7			
Breaker size	Amp 30			
Stirrer motor	kw	0,22	Hp	0,3
Drive motor	kw	1,1	Hp	1,5
Compressor power	kw	1,2	Hp	1,6
Compressor power	BTU/h 3200			
Freon R404A	Gr	1150	Oz	40,5
Refrigeration condensation	Water			
Water connection	cm	1,27	inches	1/2
Min. water pressure	bar	1,5	psi	20
Max. water pressure	bar	3	psi	40
Crate dimensions	cm	100X63X105	inches	39,4x24,2x41,3
Crate weight	kg	170	lbs	374



Warranty: valid for the North American Continent (Canada, USA)
 Extension: 12 months parts (with check list and warranty signed and mailed)
 5 years compressor with registration on warranty.bravonorthamerica.com



Bravo North America Inc. Office & Showroom, 810 Tyvola Road, Suite 130, Charlotte, NC 28217
 tel. +1 980 237 2474 bravonorthamerica.com info@bravonorthamerica.com